

4" submersible pump with peripheral impellers



⇒ Ready to install, stainless steel monoblock submersible pump.

Complete with:

- motor with built-in capacitor and thermal overload protector
- 20 m long power cable.



PERFORMANCE RANGE

- Flow rate up to **50 l/min** (3.0 m³/h)
- Head up to **68 m**

APPLICATION LIMITS

- Maximum liquid temperature **+40 °C**
- Maximum immersion depth of **40 m**
- Vertical and horizontal installation
- Continuous service **S1**

CONSTRUCTION AND SAFETY STANDARDS

EN 60335-1
IEC 60335-1
CEI 61-150

EN 60034-1
IEC 60034-1
CEI 2-3



CERTIFICATIONS



INSTALLATION AND USE

Suitable for use with **clean water that does not contain abrasive particles** and liquids that are not chemically aggressive towards the materials from which the pump is made.

As a result of their compact design and economy, they are suitable for domestic applications such as the distribution of water in combination with small pressure sets and for irrigation, etc.

PATENTS - TRADE MARKS - MODELS

- Patent Pending n° PCT/IB2009/051491, PCT/EP2009/059855
- Registered Community Design n° 342159-0009

OPTIONALS AVAILABLE ON REQUEST

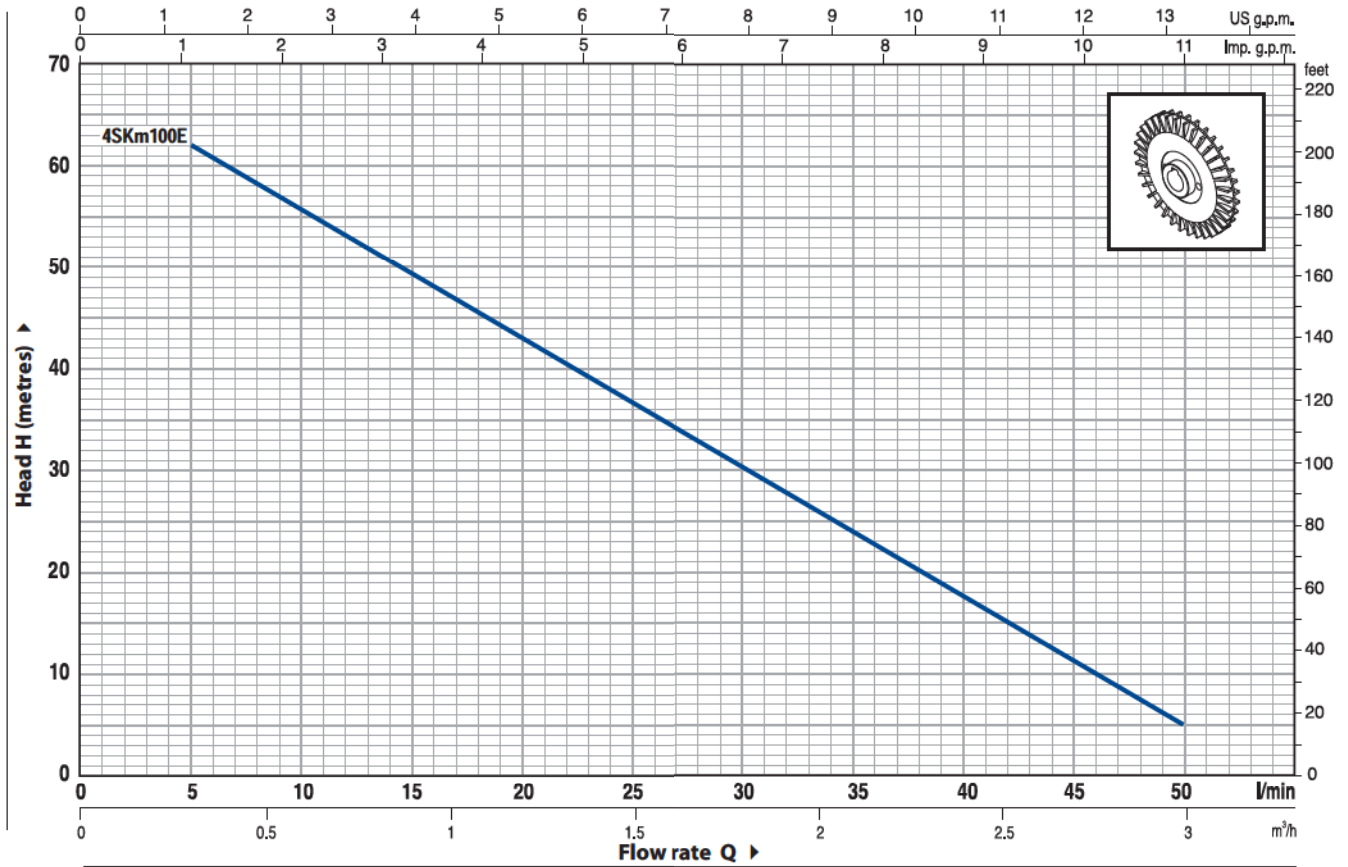
- **30 m** long power cable
- Other voltages or 60 Hz frequency

GUARANTEE

2 years subject to terms and conditions

CHARACTERISTIC CURVES AND PERFORMANCE DATA

50 Hz n= 2900 1/min

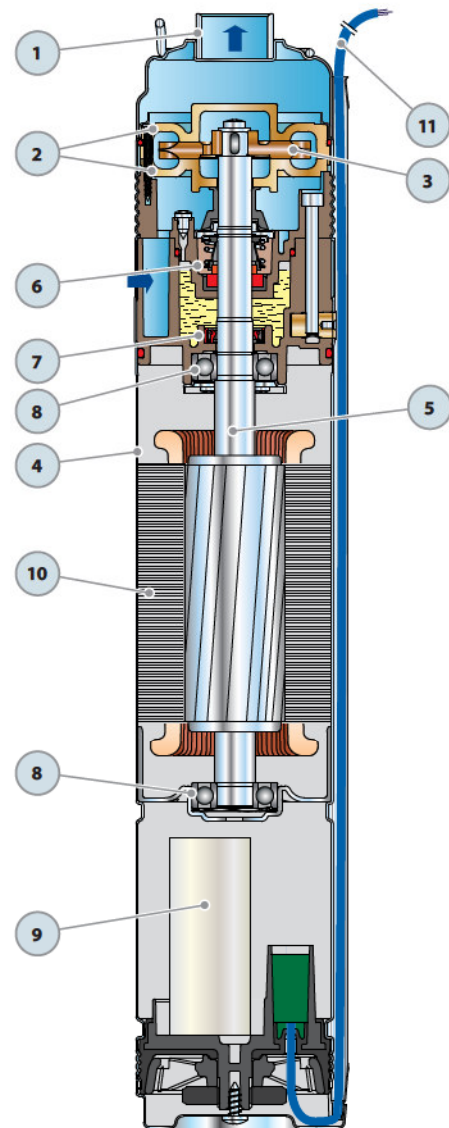


MODEL	POWER		Q	Flow rate												
	kW	HP		m³/h	0	0.3	0.6	0.9	1.2	1.5	1.8	2.1	2.4	3.0		
Single-phase			l/min	0	5	10	15	20	25	30	35	40	50			
4SKm 100E	0.75	1	H metres	68	62	55	49	43	37	30	24	17	5			

Q = Flow rate H = Total manometric head

Tolerance of characteristic curves in compliance with EN ISO 9906 App. A.

POS.	COMPONENT	CONSTRUCTION CHARACTERISTICS
1	DELIVERY BODY	Stainless steel AISI 304, complete with threaded delivery port in compliance with ISO 228/1
2	PUMP BODY	Brass, with (patented) double anti-seize inserts
3	IMPELLER	Brass, with peripheral radial vanes
4	MOTOR SLEEVE	Stainless steel AISI 304
5	MOTOR SHAFT	Stainless steel EN 10088-3 - 1.4104
6	SHAFT WITH DOUBLE SEAL AND OIL CHAMBER	
	<i>Seal</i>	<i>Shaft</i> <i>Materials</i>
	<i>Model</i>	<i>Diameter</i> <i>Stationary ring</i> <i>Rotational ring</i> <i>Elastomer</i>
	MG1-16	Ø 16 mm Silicon carbide Graphite NBR
7	LIP SEAL	Ø 17 x Ø 28 x H 7 mm
8	BEARINGS	6203 ZZ - C3 / 6203 ZZ - C3
9	CAPACITOR	
	<i>Capacitance</i>	
	<i>(230 V or 240 V)</i>	<i>(110 V)</i>
	31.5 µF 500 VL	70 µF 250 VL
10	ELECTRIC MOTOR	
	Submersible PEDROLLO motor, suitable for continuous duty (with dry, rewindable stator).	
	4SKm: single-phase 230 V - 50 Hz Motor with built-in capacitor. Thermal overload protector built-in to the winding.	
	- Insulation: F class. - Protection: IP 68.	
11	POWER CABLE	
	⇒ 20 metre long PBS-P cable for AD8 permanent immersion NFC 15-100, ACS guaranteed for contact with drinking water	

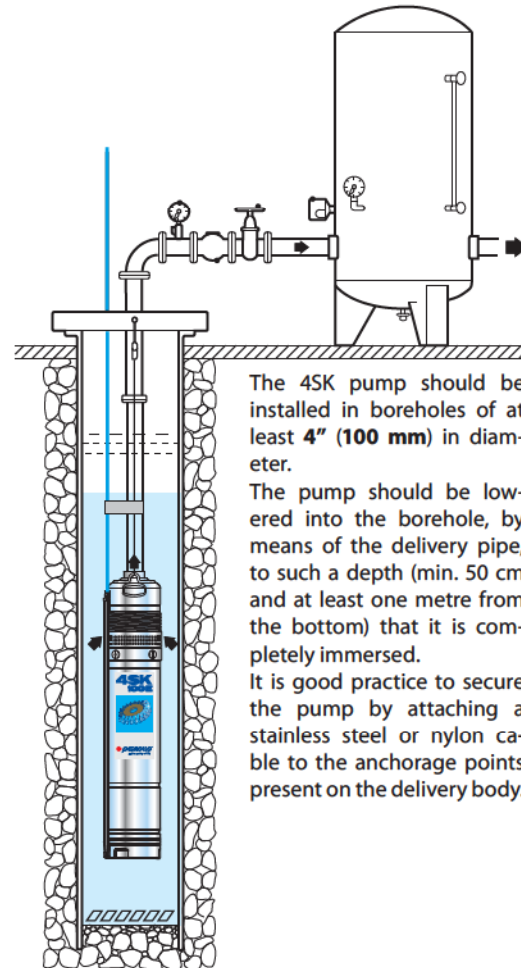


Patented

DIMENSIONS AND WEIGHT



Typical installation



The 4SK pump should be installed in boreholes of at least **4" (100 mm)** in diameter.

The pump should be lowered into the borehole, by means of the delivery pipe, to such a depth (min. 50 cm and at least one metre from the bottom) that it is completely immersed.

It is good practice to secure the pump by attaching a stainless steel or nylon cable to the anchorage points present on the delivery body.

MODEL	PORT DN	DIMENSIONS mm		kg
		Ø	h	
Single-phase				
4SKm 100E - 230 V	1"	99.5	521	12.3
4SKm 100E - 110 V			551	12.5

ABSORPTION

MODEL	VOLTAGE (single-phase)		
	230 V	240 V	110 V
Single-phase			
4SKm 100E	5.7 A	5.5 A	11.5 A

PALLETIZATION

MODEL	GROUPAGE			CONTAINER		
	n° pumps	H (mm)	kg 1~	n° pumps	H (mm)	kg 1~
Single-phase						
4SKm 100E - 230 V	48	110	607	72	1580	903
4SKm 100E - 110 V	48	110	617	72	1580	917

